

Buoyant Smoke Signal (Orange) L-46



DESCRIPTION:

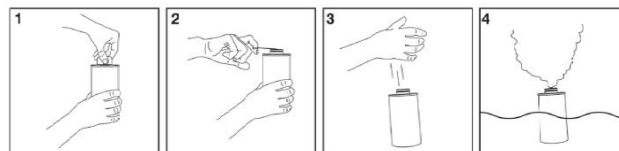
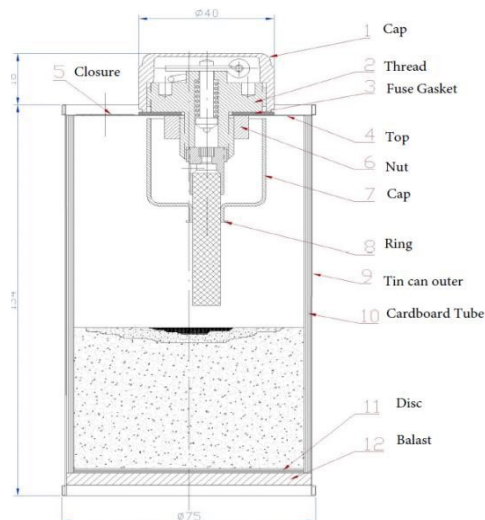
Distress signal to be carried on boats and marine vessels including leisure crafts. Orange Buoyant Smoke that expels a dense orange smoke. With a ring pull ignition activation, the sealed canister floats on water during operation. Conforms to SOLAS 2014/90 UE and IMO Res. MSC.81(70) regulations.

APPLICATION:

As a distress signal for all kinds of boats, it is suitable for day use.

SPECIFICATIONS:

COLOR	Orange
DURATION	>180 seconds
DIMENSIONS	Ø74x150mm
NEC	150gr
GROSS WEIGHT	472 gr
CLASSIFICATION	UN 0197, Signals, Smoke, 1.4G
IGNITION	Ring-pull Percussion
STANDARD PACKAGING	UN approved cardboard box Weight: 11 Kg (24 units) Carton Dimensions: 310 x 250 x 335 mm



Atención!
Peligo de incendio o de proyección.
Mantener alejado de fuentes de calor, cigarrillos, hornos abiertos o superficies calientes. — No fumar. NO luchar contra el incendio cuando el fuego llega a los recipientes. Evitar el choque/fricción. Almacenar en un lugar seco, protegido de fuentes de ignición.

Warning!
Fire or projection hazard.
Keep away from heat/sparks/open flames/hot surfaces. — No smoking. DO NOT fight fire when fire reaches explosives. Do not subject to shock/friction. Store in a dry place protected from sources of ignition.



LECEA Sistemas Pirotécnicos Avanzados, S.A.
Barrio Epiztegia, 3, 01280 Larrea- Barrundia, Álava SPAIN
t + 34 945 31 70 24 e comercial@lecea.eu
www.lecea.eu



Lloyd's
Register



SOLAS-MED